

HUMIDITY



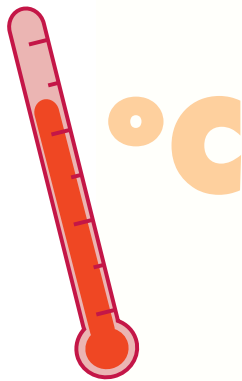
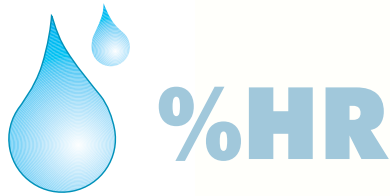
+



TEMPERATURE SENSOR



HUTE-2x42-DIS



WITH LARGE
LCD DISPLAY

DIGITAL CORRECTION
of SENSOR ERROR
del SENSOR

INDIVIDUAL
CALIBRATION
CERTIFICATE

INCORPORATE SUPPORT
• TO MURAL (WALL)
• ON RAIL



HOME AUTOMATION

AIRE ACONDICIONADO

WAREHOUSES

HUMIDIFIER
DEHUMIDIFIER

HUMIDITY

0/100%RH
OUTPUT

4/20mA



%RH

**HUMIDITY OUTPUT
4/20mA (ACTIVE)**

TEMPERATURE

-40/+80°C
OUTPUT

4/20mA



°C

**TEMPERATURE OUTPUT
4/20mA (ACTIVE)**

TECHNICAL CHARACTERISTICS

TEMPERATURE

Range	-40/+80°C
Offset correction	digital
Precision	±0,3°C

HUMIDITY

Range	0/100%RH
Precision - 25°C	3%RH (5%RH ~ 95%)
Stability	<2% F.S.

description

High precision temperature and humidity sensor, low drift and longer service life.

2 active 4/20mA outputs with high load capacity
Wide power range (10.. 30VDC).

It incorporates a large LCD display.

Allows sensor calibration correction via keyboard, protected by password.

IP65 waterproof box, with easy extraction for mounting to a mural (wall) or rail.

2x 4/20mA OUTPUTS

2 current outputs	2x4/20mA (Actives)
Loading capacity	2x<600 Ω

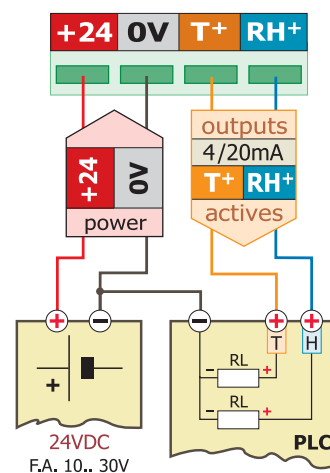
POWER SUPPLY

Power	24VDC
Margin	10.. 30VDC
Max. consumption	1W

CE EMC RULES

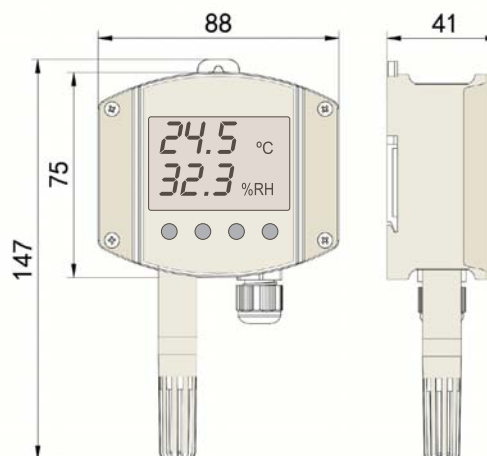
EMC 2014/30/EU (electromagnetic compatibility)
DBT 2014/35/EU (low voltage directive) for industrial environments.
CE Interference immunity according to EN 61000-6-2.
CE Disturbance emission in accordance with EN 61000-6-3.
Installation category II. Pollution degree 2 EN 61010-1.

CONNECTION

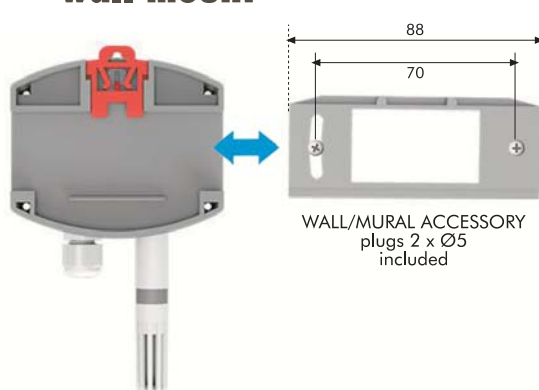


FORMAT

Box dimensions	88x75x41mm
Dimensions + probe	147x75x41mm
ABS material	
Box protection	IP65
Wall mounting accessory support	
Fast clip rail fastening	
Internal connection	clamp terminal
Connection to external press	PG7
Weight	160gr.



wall mount



rail mounting

