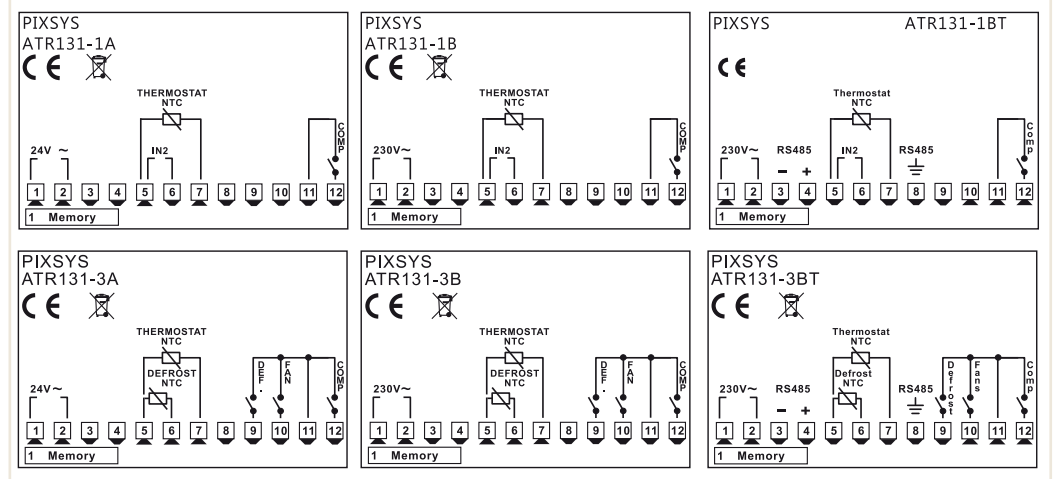


## WIRING PLAN



## ATR131

## Thermostat for refrigeration / HVAC

## Main features

Box	32x74 (front panel) x 53 mm
Power supply	24Vac/115Vac/230Vac $\pm$ 15% 50/60 Hz
Consumption	3 W
Display	3 digits 0,56" red + 3 signaling leds
Operating conditions	Temperature 0-45 °C, humidity 35..95 RH%
Material	Box: Noryl UL94V1 self-extinguishing, front panel: PC ABS UL94V0 self-extinguishing
Weight	Approx. 100 g
Sealing	Front panel: IP54 (with gasket) , Box IP30, Terminal blocks IP20
Quick set-up options	Memory Card with / without battery

## Inputs

Sensors	1 NTC10K - B 3435K (ATR131-1x) / 2 NTC10K - B 3435K (ATR131-3x)
Accuracy	0.5% $\pm$ 1digit
1 Digital input	1/2 setpoint selection, Heat/Cool regulation selection

## Outputs

Compressor	1 Relay 10A - 250 Vac resistive charge
Defrosting	1 Relay 8A - 250 Vac resistive charge (ATR131-3x)
Fans	1 Relay 5A - 250 Vac resistive charge (ATR131-3x)

## Software features

Control algorithms	ON - OFF with hysteresis
Defrosting functions	Programmable defrost frequency and mode, time counting type, end-defrosting temperature and maximum defrosting time
Data protection	Lock against close compressor starts, Lock of control setpoints, access to parameters by password.
Heating function	NTC range selection -40..50°C or 0..100°C

## Ordering codes

ATR131-1A	1 Inp. NTC - 1 Relay / Supp. 24 Vac $\pm$ 10% 50/60Hz
ATR131-1B	1 Inp. NTC - 1 Relay / Supp. 220 Vac $\pm$ 10% 50/60Hz
ATR131-1C	1 Inp. NTC - 1 Relay / Supp. 115 Vac $\pm$ 10% 50/60Hz
ATR131-3A	2 Inp. NTC - 3 Relays / Supp. 24 Vac $\pm$ 10% 50/60Hz
ATR131-3B	2 Inp. NTC - 3 Relays / Supp. 220 Vac $\pm$ 10% 50/60Hz
ATR131-3C	2 Inp. NTC - 3 Relays / Supp. 115 Vac $\pm$ 10% 50/60Hz